

# Ancare

## Bottle Filling Station



Type 316 stainless steel construction throughout.  
Removable nozzles for easy cleaning/replacement.  
Adjustable header height.

Unit includes a full backsplash and is fully compatible with high purity water.  
Overall dimensions of base unit: 19 1/2" wide x 30 1/8" deep x 46 1/2" high.  
Working height 25 3/8".

24 nozzle BF-101-24 with side stopper station (BFS-100) shown.

**Other models and options (including auto timer) or custom configurations available.**

**BF-101-24**

## Wall Mounted Fillers



Custom made to order, available with or without fold down table. Filler head can be flipped down, locked in multiple positions, and flipped up and out of the way when done. Ask your Ancare rep for more details.

# Bottle Filler

## Options and Accessories

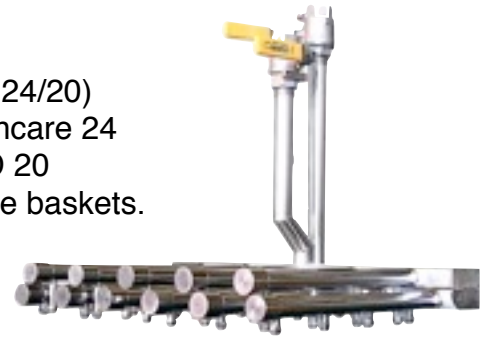
### Headers - for use with filling station



24 nozzle (101-24) compatible with Ancare 24 compartment bottle baskets.



Dual header (101-24/20) compatible with Ancare 24 compartment AND 20 compartment bottle baskets.



20 nozzle (101-20) compatible with Ancare 20 compartment bottle basket.

### Hand Held Filler

24 nozzle (BF-101-24HH) and 20 nozzle (BF-101-20HH) hand held fillers. Compatible with Ancare 24 compartment and 20 compartment bottle baskets respectively.

